

# MANUAL

## CAMPING LIGHT

# Contents

WARNING .....	1
T26/T26-S/T32 .....	1
T35/T31 .....	2
T60/T60-A .....	3
T65/T56 .....	4
T39 .....	5

## WARNING:

1. Do not shine directly in the eyes, the powerful LED light will damage the eyes immediately.
2. If the battery is not used for a long time, please charge and discharge it every 3 months to keep the battery in good condition.
3. It is normal to use the lights for a long time to heat up.
4. When the indicator light shows low power, please charge the battery as soon as possible.
5. To avoid damage to the surface of the camping lamp, please do not expose the flashlight to sunlight, water, chemicals, corrosive gases or any other oxidizing environment frequently.
6. Before use, please tear off the transparent film on the battery surface before use.

## INSTRUCTIONS FOR USE T26/T26-S



- Solar function



- Hook



- ABS+PC material

## INSTRUCTIONS

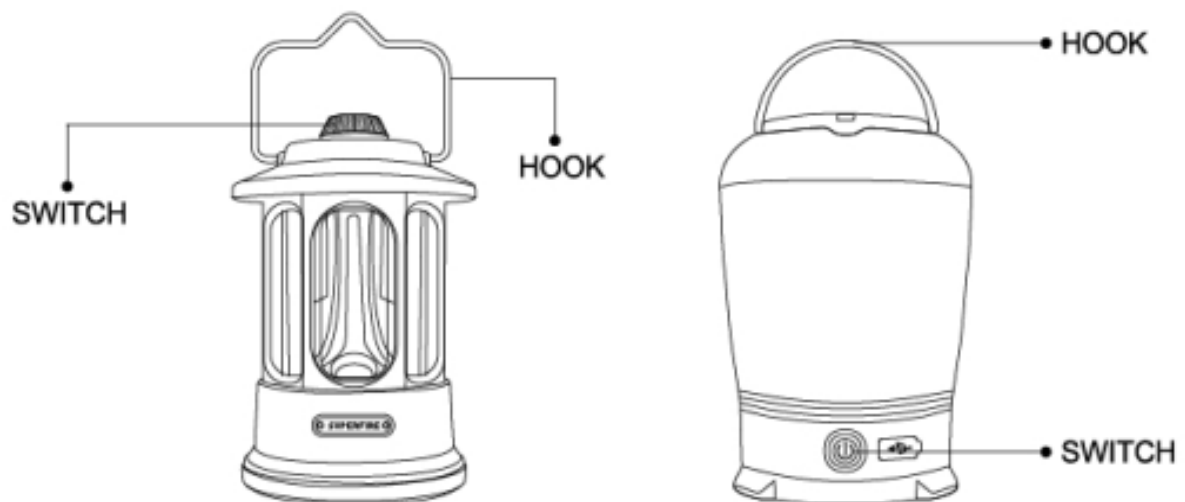
1. Press the switch button to turn on the high light level, and continue to press the shift (strong light-low light-strobe-off) mode sequence to cycle in turn.
2. The blue indicator light flashes when charging; the blue indicator light is always on when it is fully charged.
3. T26 without solar charging, T26-S with solar charging.

## PRODUCT PARAMETERS

Model	T26	T26-S	T32
Charging ways	Micro USB	Micro USB	Micro USB
Battery	18650	18650	18650
Power	18W	18W	4.5W
Weight	215G	265G	110G
Size	99*27*165mm	99*27*165mm	77*25*146mm
Mode	Strong Light-Low Light-Strobe-Off	Strong Light-Low Light-Strobe-Off	Strong Light-low Light-Strobe-Off

As our series of products will be continuously upgraded, this manual can still be applied to the subsequent series of products.

## INSTRUCTIONS FOR USE T35/T31



### INSTRUCTIONS

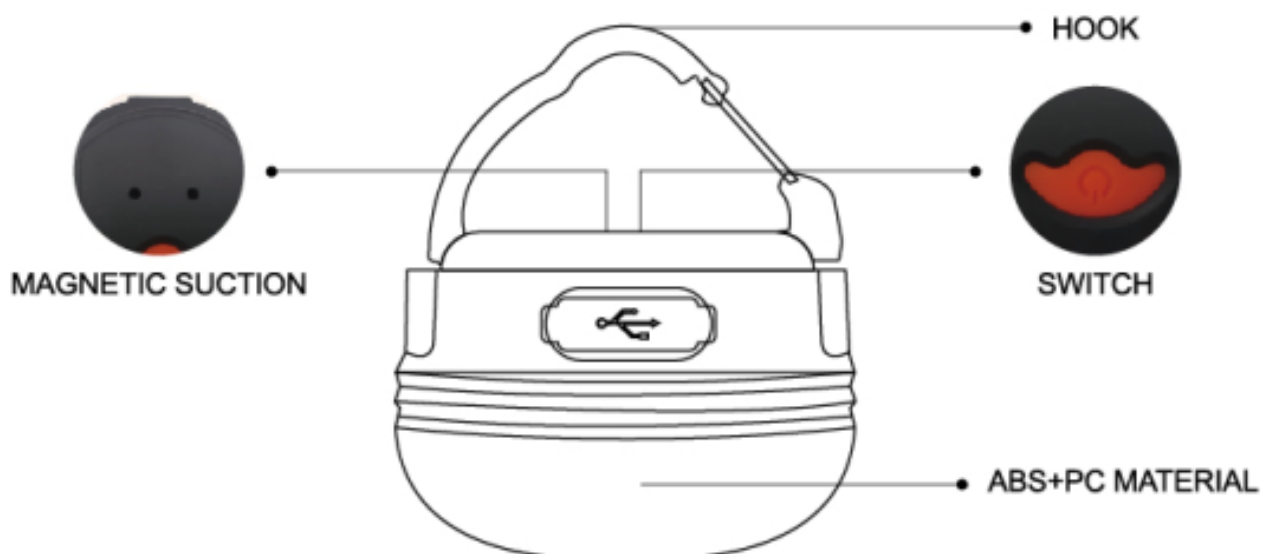
1. Press the switch on T31 to turn on the white low light, and continue to press (white low light-white medium light-white strong light-off) mode sequence to cycle. mode adjustment needs to be completed within 5 seconds, and press to turn off the light source after 5 seconds; Press and hold any mode for about 2 seconds to turn on the warm and low light mode, continue to press to adjust the mode (warm low light-warm medium light-warm strong light-off) the mode cannot be cycled, long press to switch (white/warm light) .
2. T35 Turn the top switch knob clockwise to turn on the light source, and select the light color and brightness in the order of warm light (Low Light to Strong Light) - white light (Low Light to Strong Light) - warm light + white light.

### PRODUCT PARAMETERS

Model	T31	T35
Charging ways	Micro USB	Type-C
Battery	18650	18650
Power	13W	6W
Weight	205G	295G
Size	90*74*127mm	100*110*165mm
Mode	white low light-white medium light-white strong light-off/warm low light-warm medium light-warm strong light-off	Stepless dimming

As our series of products will be continuously upgraded, this manual can still be applied to the subsequent series of products.

## INSTRUCTIONS FOR USE T60/T60-A



### INSTRUCTIONS

1. T60 lightly press the switch button to turn on the strong light (strong light-low light-strobe-off), long press the switch to turn on the SOS mode, and keep pressing to shut down;

T60-A Lightly press the power button to turn on the strong light file (strong light-medium light-low light-strobe-SOS-off)

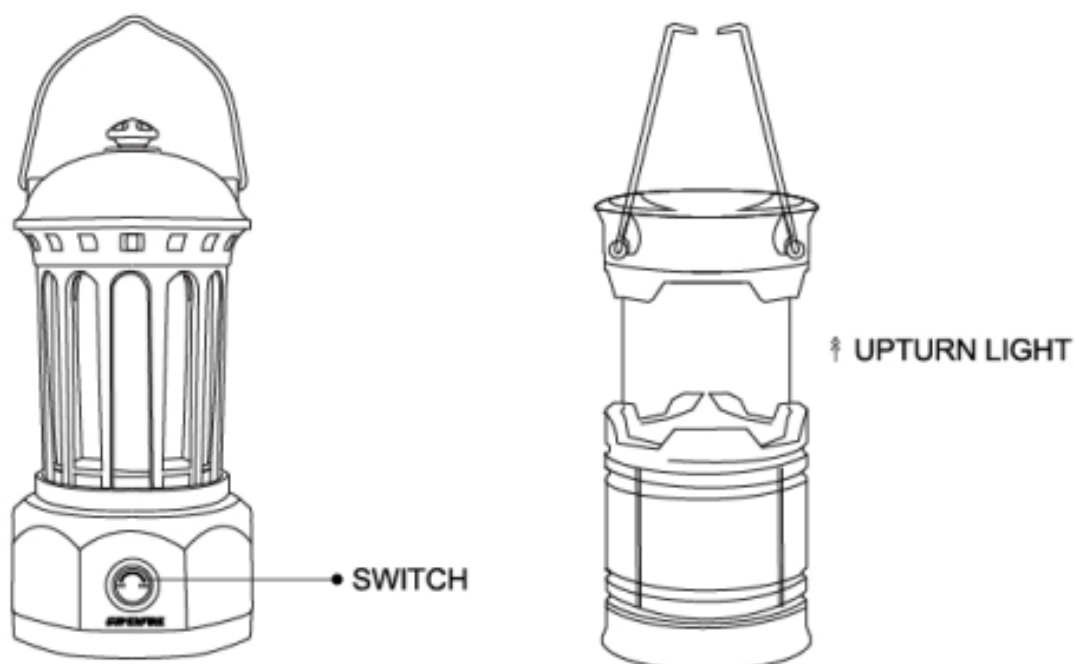
2. The green indicator light flashes when the T60 is charging, and the green light is always on when it is fully charged.

### PRODUCT PARAMETERS

Model	T60	T60-A
Charging ways	Micro USB	/
Battery	Built-in battery	3*AAA
Power	2.5W	2.5W
Weight	81G	64G
Size	70*50.2mm	70*42mm
Mode	Strong light-low light-strobe-off/SOS	Strong light-medium light-low light-strobe-SOS-off

As our series of products will be continuously upgraded, this manual can still be applied to the subsequent series of products.

## INSTRUCTIONS FOR USE T65/T56



### INSTRUCTIONS

1.T65 Turn the button clockwise to turn on the light source, from low brightness to high brightness, stepless dimming.

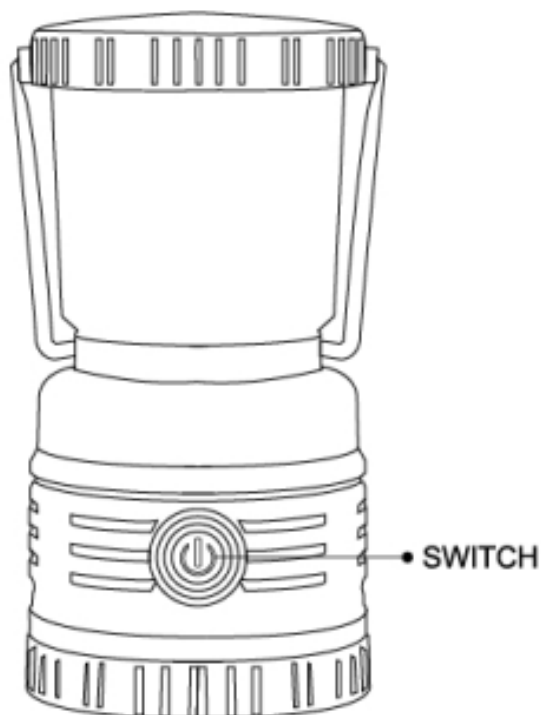
2.T56 pulls the lamp body from the middle to turn on the COB white light, press the head button to turn on the top white light-red flash-red SOS-off, cycle in turn.

### PRODUCT PARAMETERS

Model	T65	T56
Charging ways	Type-C	/
Battery	Built-in 18650	3*AA
Power	4W	4.5w
Weight	365G	258G
Size	101*211mm	138*86*90mm
Mode	Stepless Dimming	COB white light/LED white light-Red flash-Red SOS-Off

As our series of products will be continuously upgraded, this manual can still be applied to the subsequent series of products.

## INSTRUCTIONS FOR USE T39



ROTATING BOTTOM COVER  
INSTALL BATTERY

### INSTRUCTIONS

1. Press the button to turn on the white light, continue to press the button: Daylight-Warm White-Combined-Combined Flashing, the mode cycle in sequence, long press the button for stepless dimming.
2. The green indicator light is always on when it is turned on.

### PRODUCT PARAMETERS

Model	T39
Material	Rubber+ABS
Battery	3*D
Power	12W
Weight	411G
Size	186*86*94mm
Mode	Daylight-Warm White-Combined-Combined Flashing

As our series of products will be continuously upgraded, this manual can still be applied to the subsequent series of products.

## APPLICATION SCENARIO



Camping



Emergency  
lighting



Courtyard  
lighting



Reading  
at night



Night market  
stalls



Barbecue  
at night



Repair



Night  
construction

# Warranty card

User name: \_\_\_\_\_

Phone number: \_\_\_\_\_

E-mail: \_\_\_\_\_

Address: \_\_\_\_\_

Other Contacts: \_\_\_\_\_

Release Date: \_\_\_\_\_